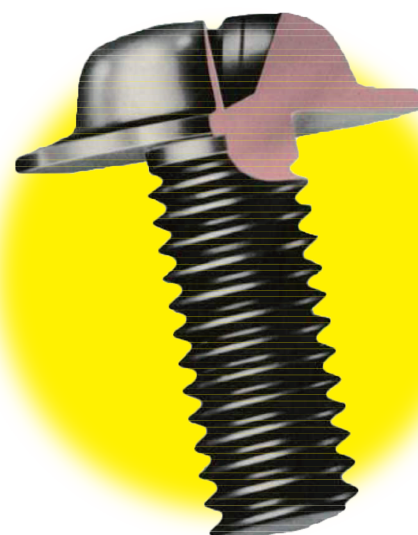


Supports Cost-Reduction with unification of several functions to one piece

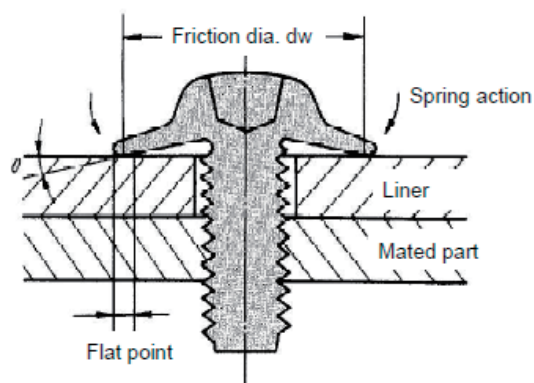
# CUPSCREW

## Outline of CUPSCREW

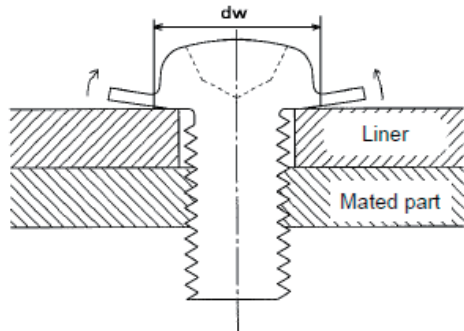
The one piece **CUPSCREW** provides you functions of Screw, Spring Washer & Plain Washer.



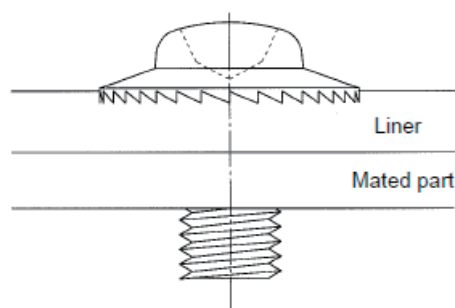
Structure of CUPSCREW



Conventional washer head  
Friction dia. is getting smaller when tightened



Conventional Serrated washer head makes easier to loose due to depression caused by injure by serration



- The cupped flange makes screw stay tighter with absorbing factors for loosening like vibration and deformation of liner due to heating.
- And a character to keep friction diameter bigger enhances loose-proof effects.
- Flat point on the edge of flange eliminates to injure the surface of liner.

**CUPSCREW supports cost reduction of assembly costs by eliminating Spring washer and Plain washer.**