



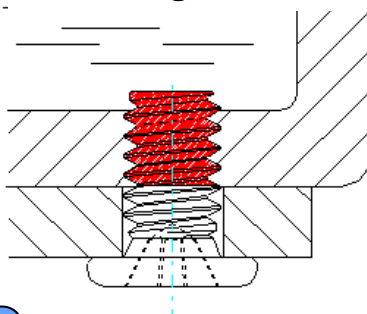
NK GRIP™

NK Grip provide following three superb function to ordinary screws.

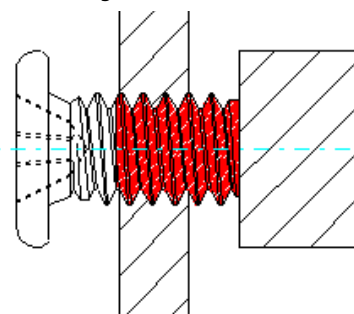


1. Loose-proof effect against vibration and shock

2. Sealing effect



3. Adjustment

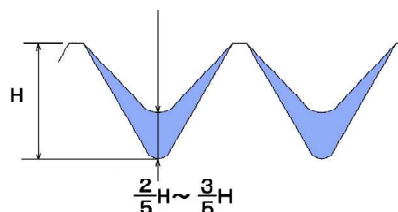
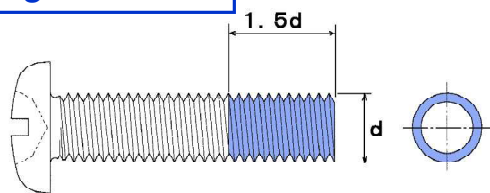


Character of NK GRIP

Type	Color	Critical temperature	Thread size	Fixing speed (at 20~25°C)*
NK GRIP B	Blue	93°C	M1.0~M10	8 hours
NK GRIP R	Orange	150°C	M1.0~M10	14 hours

* Fixing speed to practical use fixing force.

Coating standard



Application

- Automotive (Seat belts etc.)
- Motorcycle
- Camera
- Digital video camera
- Airplane
- Office automation
- Telecommunication
- Office automation

NITTO SEIKO CO., LTD.

【Loose-proof performance】

~Breakaway torque at repeated use~

Unit : N·m

Nom. dia.	Installation torque	Breakaway torque				
		1st time	2nd time	3rd time	4th time	5th time
M1.2	0.058	0.06	0.05	0.05	0.05	0.04
M1.4	0.088	0.09	0.08	0.07	0.07	0.06
M1.7	0.17	0.18	0.17	0.16	0.16	0.15
M2.0	0.17	0.19	0.18	0.16	0.16	0.15
M2.6	0.44	0.53	0.49	0.39	0.34	0.29
M3.0	0.58	0.68	0.49	0.49	0.44	0.44
M4.0	1.76	1.96	1.76	1.56	1.47	1.47
M5.0	3.33	3.52	3.13	2.84	2.64	2.45

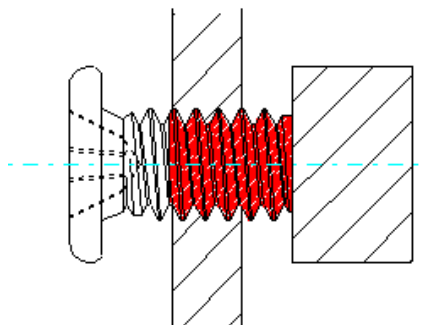
Breakaway torque has been measured 24 hours after the installation.

【Adjustment performance】

~Fixing power of coating~

Unit : N·m

NK GRIP's fixing power of coating makes all screws can be used as adjust-screw.



Nom. dia.	Removal torque
M1.2	0.004
M1.4	0.010
M1.7	0.013
M2.0	0.020
M2.6	0.03
M3.0	0.04
M4.0	0.15
M5.0	0.39

【Chemical resistance】

Unit : N·m

Test condition

Bolt : M10 (6T)

Nut : M10

Installation torque : 29.4N·m

Evaluation

Fastening - Fixing (72h) -

Dipping - Remove test

Chemical	Temp. X Time	Breakaway torque
--	25℃X7days	49
Water	100℃X7days	58
Ethylene glycol	100℃X7days	54
Engine oil	100℃X7days	49
Gear oil	100℃X7days	50
Kerosene	50℃X7days	51
Gasoline	50℃X7days	51

Above mentioned data is just test result. and not guaranteed figure.

NITTO SEIKO CO., LTD.

1-6-4, Honjo-nishi,
Higashiosaka, Osaka,
578-0965,
Japan

Tel : 81-6-6745-8392
Fax : 81-6-6745-8372
E-mail : sales@nittoseiko.co.jp
URL : <http://www.nittoseiko.co.jp/>