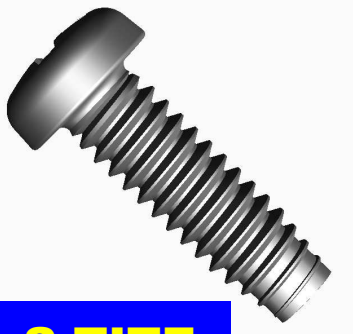


Standard article for Cost-Reduction

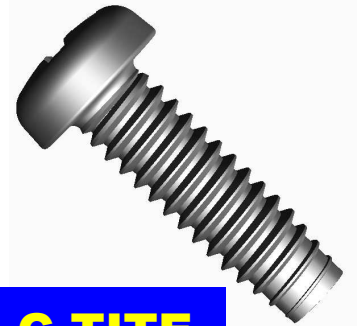


TAPTITE®



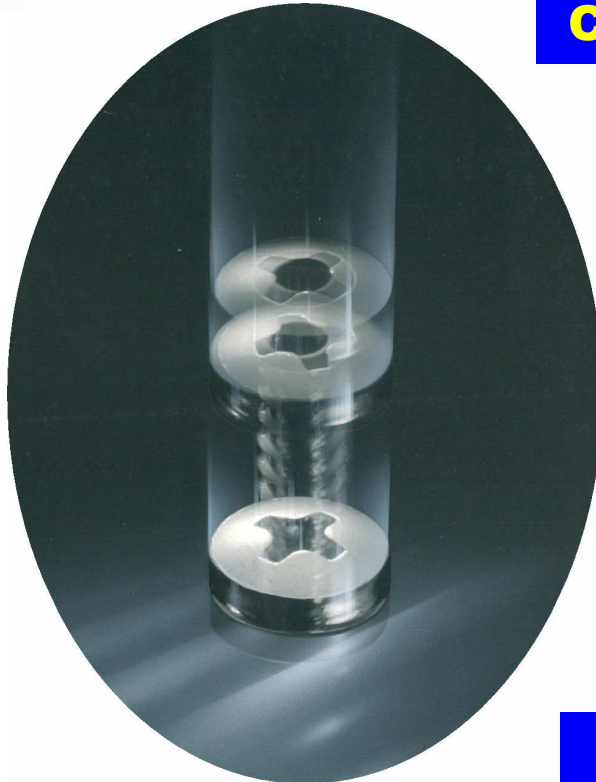
S-TITE

S-Tite is designed for metal fastening. Machine screws can be replaced after removal of S-Tite.



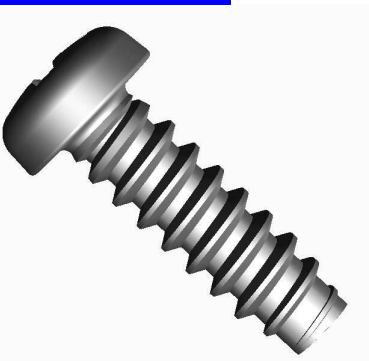
C-TITE

C-Tite is compatible to machine screws and Class 3 tapping screws.

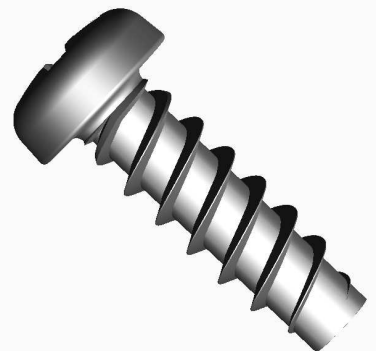


B-Tite is an advanced model from Class B tapping screw and available for sheet metal and plastic fastening

B-TITE



P-TITE



P-Tite is a better choice for thermo-plastic fastening. It can be fastened faster without crack or sticking

NITTO SEIKO CO., LTD.

1-6-4, Honjo-nishi,
Higashiosaka, Osaka,
578-0965,
Japan

Tel : 81-6-6745-8392
Fax : 81-6-6745-8372
E-mail : sales@nittoseiko.co.jp
URL : <http://www.nittoseiko.co.jp/>

TAPTITE® is a registered trademark licensed by CONTI Fasteners AG, Switzerland.