



# Performs stable screw driving quality which isn't depend on the skill of operator.

## Features

- It can be reduced operator's burden by absorbing the torque reaction which is arising from during fastening with arm.
- It can be moving easily the hanging driver or something.
- The mounted driver is our own standard one, it's possible to setup the condition of multi-channel and can be handled the changeover products flexibly.
- Lineup of two type, T type for small-footprint and V type for wide moving space.
- It's easy installed and will be a ready-to-use.

### Nittoseiko own Driver

Multi-channel setting is possible.

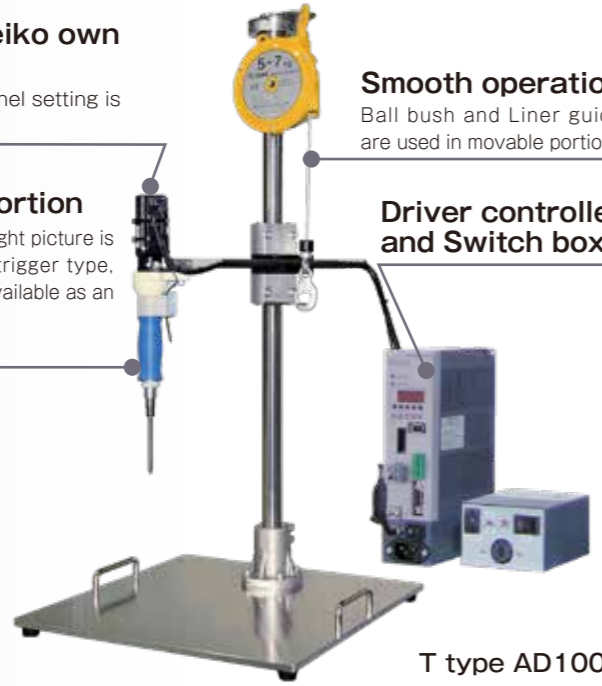
### Grip portion

Showing right picture is the lever trigger type, which is available as an option.

### Smooth operation

Ball bush and Liner guide are used in movable portion.

### Driver controller and Switch box



T type AD100T

Example of machine configuration

## Plus, if regarding the type with position checking function,

- The protection function to forget a fastening is installed. It's possible to change the fastening condition automatically according to the fastening sequence.
- The vertical position detecting function can be possible to check the abnormal condition as floating screw.

## Lineup

Type	T type		V type	
	Standard	Built-in the position checking function	Standard	Built-in the position checking function
Standard	AD100T	AD100TE	AD100V	AD100VE
Vertical position detecting	—	AD110TE	—	—
Heavy-duty	—	—	AD500V	AD500VE

## Specifications

[ ] : Optional

Item	T type		V type	
	AD100T·AD100TE	AD110TE	AD100V·AD100VE	AD500V·AD500VE
Working range ※1	Vertical stroke (Max.)	400mm	Vertical stroke (Max.)	437mm
	Horizontal stroke	200mm	1st Arm Length	380mm
	Angle (Swing Arm)	150°	2nd Arm Length	420mm
Allowable fastening torque ※2	10N·m		18N·m	45N·m
Driver ※3	KX Driver, NX Driver			
Bit type ※4	Cross(+), Slotted(-), HEX, Box and others			
Machine weight	Approx. 18kg	Approx. 25kg	Approx. 12kg	Approx. 15kg
Start trigger method	Push start type, [Lever start type]			
Setting channels number ※5	Max 16 or 32 (torque, fastening condition)			
Self-checking function ※6	message and output signal for system error			
Power supply voltage ※7	Single phase 200-230VAC 50/60Hz, [Single phase 100-115VAC 50/60Hz]		Single phase 200-230VAC 50/60Hz	

※1 It doesn't have a mechanical stopper to confine the swing arm direction basically.  
 ※2 This number is calculated to be considered the body strength, thus we can't guarantee if a using torque exceeds this limit. And also allowable torque will be 6N·m or less when it's using by 7mm dia bit.  
 ※3 Please see other catalog for detail of KX and NX drivers.  
 ※4 We can be made special bit also, so please feel free to inquire.  
 ※5 Setting channels 32 is only available for SD600T controller.  
 ※6 It's only available with the position checking function.  
 ※7 The supply voltage will be fixed the single phase 200-230V 50/60Hz according to the mounting driver type.

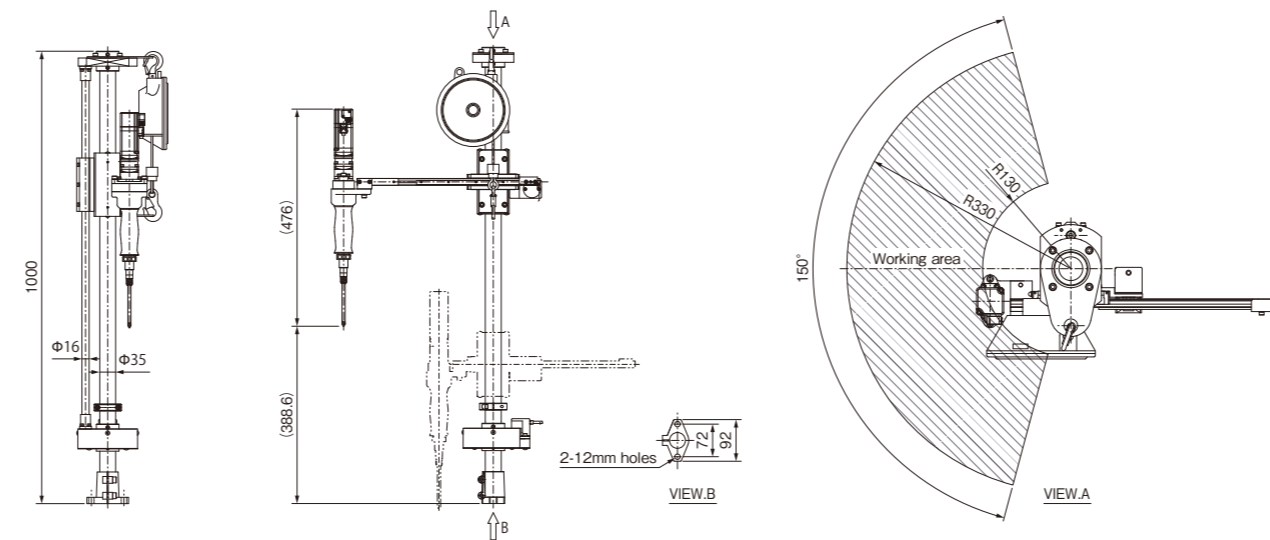
# T type Arm-Driver



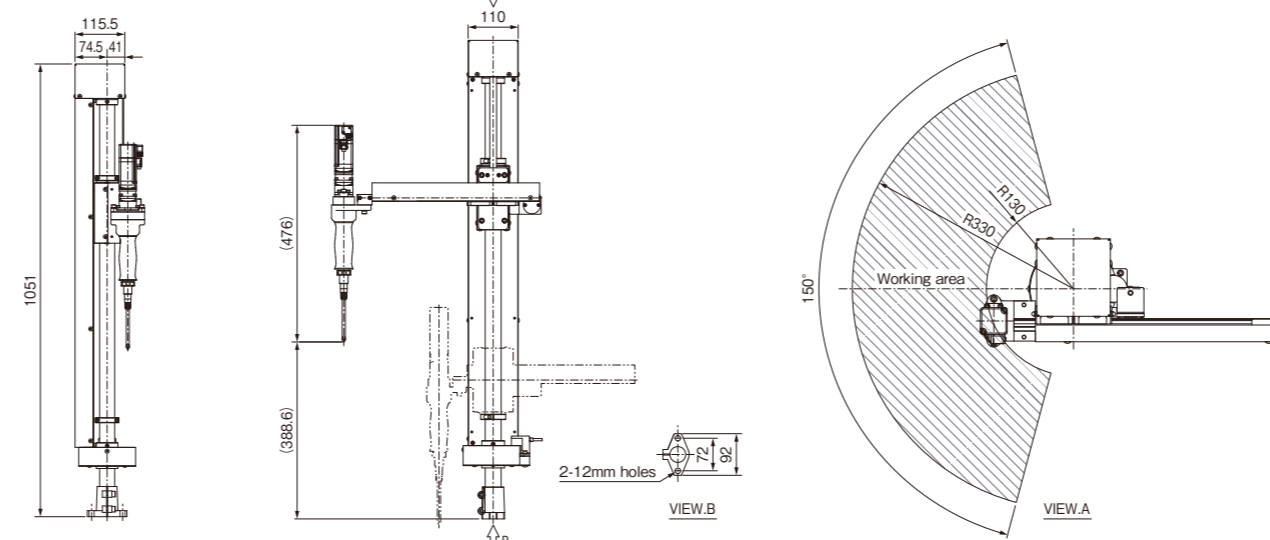
## Outside dimension(mm) and Working area

\* Outside dimension and working area will be commonly utilized for both built-in position checking and not built-in this

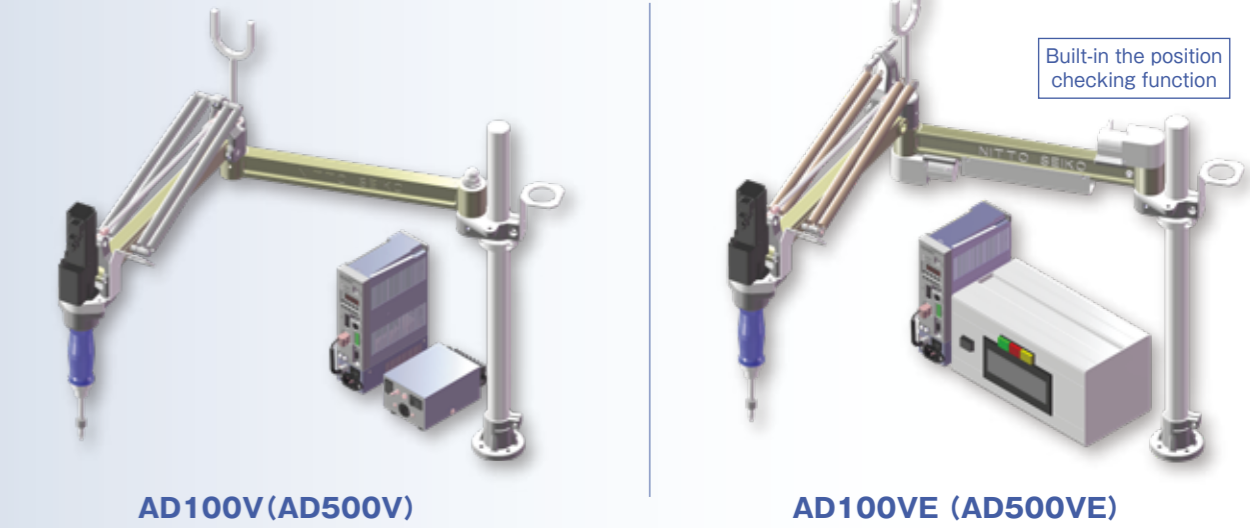
### AD100TE



### AD110TE



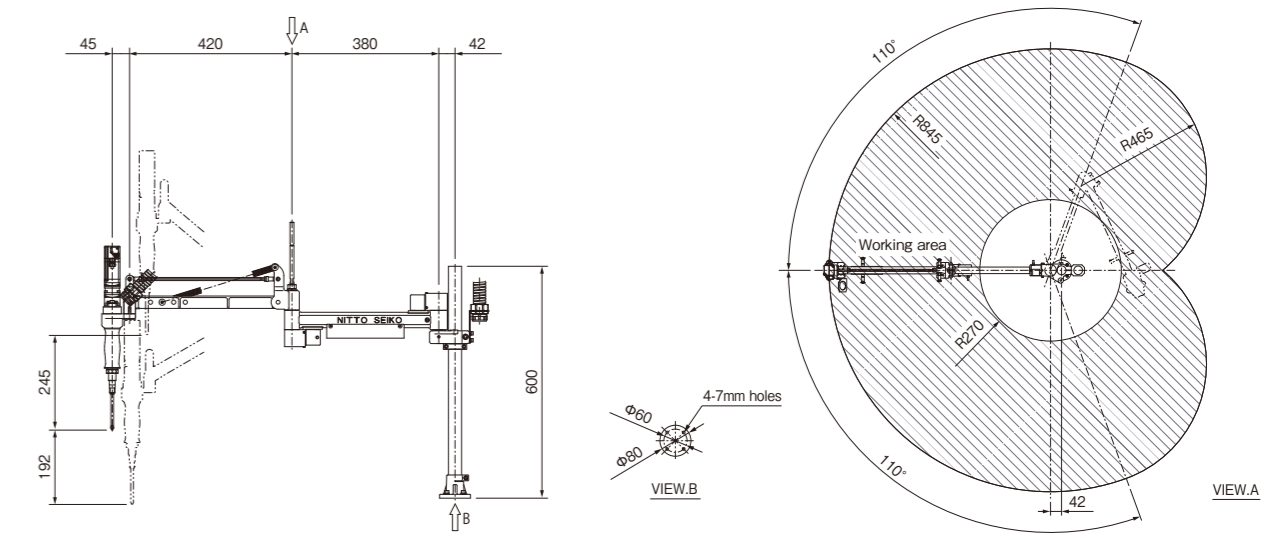
# V type Arm-Driver



## Outside dimension(mm) and Working area

\* Outside dimension and working area will be commonly utilized for both built-in position checking and not built-in this

### AD100VE



### AD500VE

