

Micro Oil Meter

SPECIFICATIONS

SSV14551 25.07

■ Introduction

The Micro Oil Meter is a special compact oil flow meter capable measuring from a minimum of wide as 1:125, and is a super-sensitive flow meter capable of measuring from a minimum of 2L/H. It is also maintenance-free because the measuring chamber has a simple design, the only working part is the rotor and the display is a liquid crystal counter.

■ Features

● Maintenance-free

There is no need to worry about mechanical trouble because the only working part in the meter is rotor and liquid crystal counter is used.

● No need of external power source

No need of external power source because the liquid crystal counter runs on lithium battery, and this battery will last for more than 7 years.

● Wide range of flow rate

Adoption of direct pulse system eliminates mechanical transmission mechanism, which reduced energy losses largely. As a result, measuring of low flow rate is possible.

● Available for remote measuring

There are two reed switches in the flow meter and one can be used for remote measuring.

● Compact strainers in meter inlet and outlet

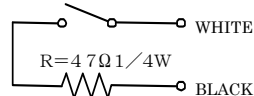
These strainers remove dirt that may enter when connecting the piping and assure that the rotor does not stop turning.



■ Specifications

Liquid	Kerosene, Light and Heavy Oil
Flow range	Kerosene: 10 ~ 250 L/H Heavy oil: 2 ~ 250 L/H
Accuracy	±1.0%
Max. pressure	0.7Mpa
Temp. range	Local indication:-10 ~ 55°C Remote indication type:-10 ~ 120°C
Indication	LCD Counter
Min. unit	0.01L
Max. indication	Non-reset type: 999999.99L Reset type: 999999.99L
Battery life	More than 7 years (Lithium battery)
Remote pulse	Unit: 0.01 L Pulser: Reed SW. Contact capacity: Voltage: 50V Current: 0.1A Capacity: 5VA

Wiring



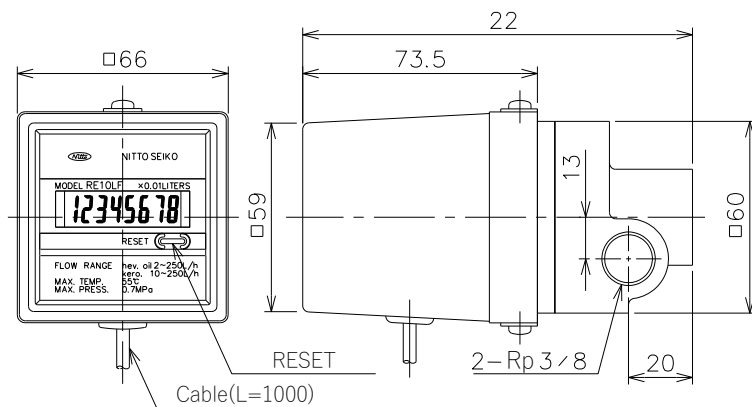
Material	Body: Aluminum die cast Rotor: Special carbon
Weight	Local indication type: app. 600g Without local indication unit: app. 350g

■ Product code

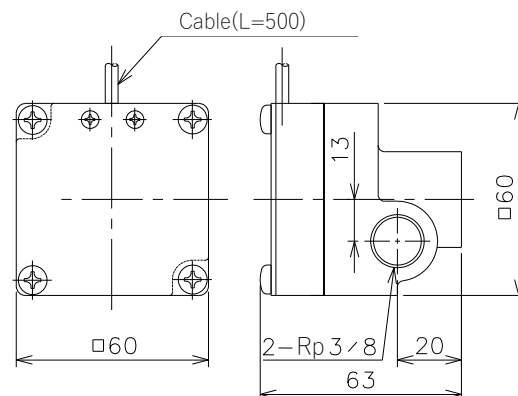
Model	Specification Code	Specification
RE10LF		Micro Oil Meter
Code	-	
Kind of indication	D	Remote indication type
	L	Local indication type
Remote pulse	0	Without
	1	With
Local counter reset function	0	Without
	1	With
Code	-	
Remote counter	0	Without
	1	Panel mounting counter
	2	Wall mounting remote counter
Remote counter reset function	0	Without
	1	With

■ Type

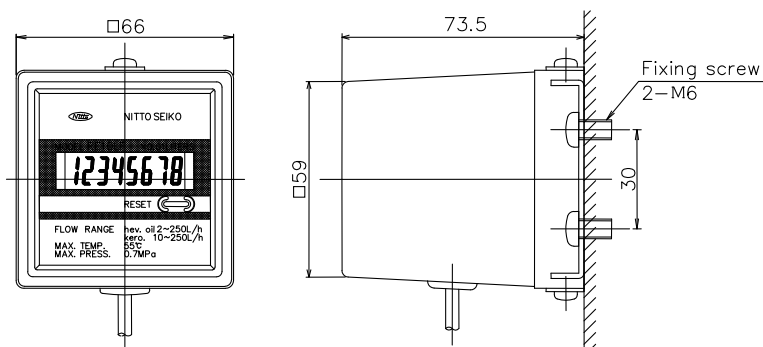
Local Indication Type



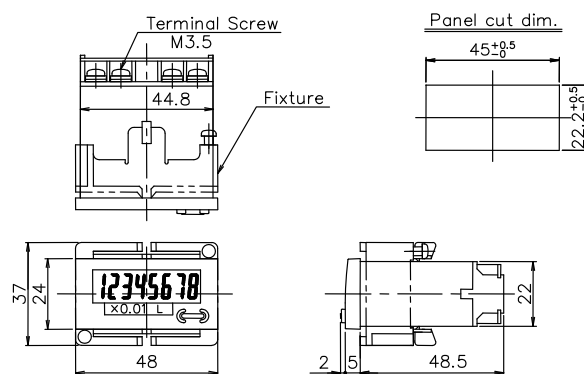
Remote Indication Type



Wall Mounting Remote Counter



Panel Mounting Counter



◆◆◆◆ Please specify following article when order ◆◆◆◆

1. Model and specification code
2. Measured liquid name, viscosity, temperature
3. Mounting position and flow direction

▼ The contents given here are subject to change without notice.

NITTOSEIKO CO.,LTD.



Control System Division Global Sales Section . 【Website】 【Inquiry Form】
Website: <https://global.nittoseiko.com/> .